



Commercial
Vehicles

The all-new, all-electric **ID. BUZZ** Cargo

Model specification



Your **electric companion**

Take your business to the next level with the ID. Buzz Cargo, our award-winning medium electric van. Built on the modular electric drive platform and outfitted with a powerful rear electric motor that develops 210 kW, you get incredible stability and impressive performance.

Battery technology

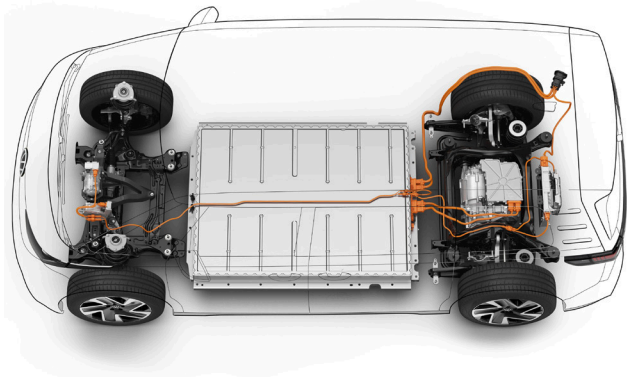
Modular Electric Drive Kit (MEB)

Forming the backbone of this Light Commercial Vehicle is the modular electric drive kit - known as the MEB - which offers you everything you need for the future of driving.

This newly developed vehicle platform is designed specifically for electric cars. The key benefit of this is that the MEB can be used to make the most out of the possibilities offered by the technology.

The wheelbase is larger, the overhangs are shorter and the small electric motors sit directly on the axles themselves.

For you this means a more optimised space for cargo and a high carrying capacity, in comfort and convenience.

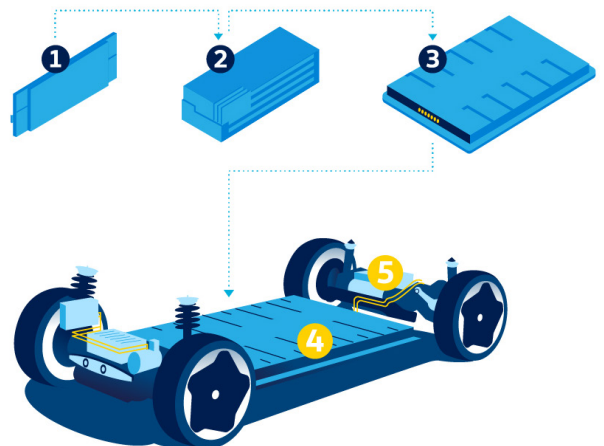


The ID. Family battery system

At the heart of the ID. family lies its fast-charging battery system, which is protected and integrated in the floor of the vehicle to save space. This lowers the centre of gravity and creates a better distribution of weight so that you can enjoy exceptionally well balanced and dynamic driving.

Glide effortlessly with a powerful rear electric single-motor that harnesses a remarkable 210 kW and 560 Nm of torque, propelling you from 0 to 100 km/h in just 7.9 seconds.

The ID. Buzz Cargo also boasts a 11.1-metre turning circle, ensuring smooth manoeuvrability in tight space.





Utilities



Stay in sync

Versatile connectivity for your smart devices with AppConnect for Android Auto or Apple CarPlay.



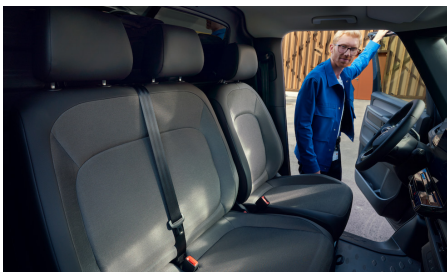
Power and entertainment

Enjoy multiple charging options throughout the cabin, including 4 USB-C ports and 12V outlets. Take in the 12.9" infotainment display with high visibility and definition.



Open wide

180-degree wing doors for rear cargo access provide wide loading access and space around the rear to manoeuvre easily.



Brightness all-around

Interior lighting extends to both front and rear areas, ensuring full visibility for all occupants.



Watch your back

A high field-of-view rear view camera provides you with visibility behind the vehicle for better safety when parking.



Brighten your reach

Say goodbye to searching blind with an illuminated glove compartment that provides easy access to everything you need.

Cargo highlights



Open it up

With low-footprint sliding doors on either side and wing doors at the rear, access has never been easier even in the tightest of spaces.



High payload

Achieve peak efficiency with a payload capacity of up to 770 kg. This high capacity transforms every trip into a model of productivity and sustainability for your business.



Meeting weight

With a Gross Vehicle Weight of 3,150 kg and an unladen weight of 2,380 kg, the ID. Buzz Cargo is more than capable of carrying everything you need.



Best of both worlds

Featuring a hybrid flooring system—rubber up front and wood in the rear—the Cargo ensures easy cleaning and durability.

Powertrain and battery



Practical powerhouse

Agile and manoeuvrable, the Cargo's rear-axle powertrain delivers up to 210 kW and 560 Nm of torque for effortless acceleration.



Class-leading range

Travel up to 461 km (WLTP combined) with the Cargo's high-voltage lithium-ion battery, offering a net energy capacity of 79 kWh and fast charging.



Compact control

Dynamic performance and easy handling are a dream in the city, with a turning radius of just 11.1 metres for the narrowest streets.

Safety



Cruise Control System

Travel down the highway with ease using cruise control functionality that will help you keep the ID. Buzz Cargo at your selected speed.



In and out safely

Euro NCAP-awarded lane keeping keeps you centred with corrective steering intervention and alerts to prevent unintentional lane drifting, while Side Assist warns you about dangerous lane changes.



Advanced Driver Attention and Drowsiness Monitor

The ID. Buzz Cargo will actively monitor your driving behaviour and notify you if it detects any drowsiness behind the wheel.



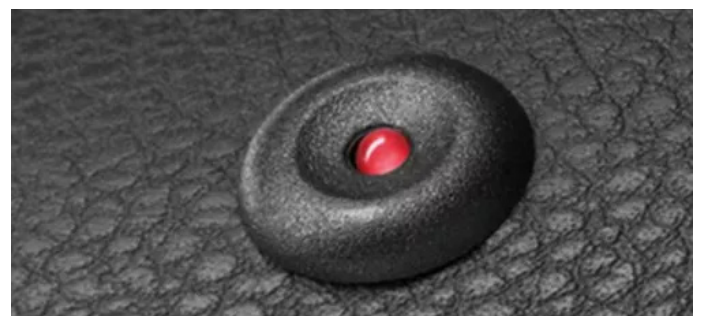
Anti-lock Brake System

Prevents wheel lock-up, making it easier for you to control your vehicle upon sudden braking, especially on a slippery road.



Front Assist with City Emergency Braking

Proven collision detection that automatically applies brakes to help prevent accidents and keep you safe on the road.



Anti-Theft Alarm w/ Interior Monitoring

Loud alarms, flashing hazard lights, and interior movement detection work together to scare off thieves, alert passers-by, and provide enhanced security against tampering, even through broken windows.

Technical Specifications

Motor

Motor type	Electric
Battery type	Li-Ion (DC-high-voltage)
Battery capacity Nett (kWh)	79
Charge time AC 3-Phase, 11 kW	7 hours 30 minutes
Charge time DC, 185 kW (10 - 80%)	26 minutes

Performance

Electric motor power kW (PS)	210 (285)
Electric motor torque (Nm)	560
Acceleration 0-100 km/h (s)	7.9
Maximum speed (km/h)	160
Combined energy consumption (kWh/100 km)	22.5
Combined electric range (km)	461*
CVES band	A

Power Transmission

Type	Rear (Single motor)
Transmission	Single speed

* Figures shown are for comparability purposes; only compare energy consumption figures with other electric vehicles tested to the same technical procedures. These figures may not reflect real-life driving results, which will depend upon a number of factors including the accessories fitted, variations in weather, driving styles and vehicle load.

*In accordance with the Worldwide harmonized Light vehicle Test Procedure.

Dimensions

ID. Buzz Cargo

Length / width / height (mm)	4,712 / 1,985 / 1,953
Wheelbase (mm)	2,989
Track front / rear (mm)	1,673 / 1,666
Wheel size front / rear	18"
Tyre size	235/60R18 / 255/55R18
Turning circle diameter (m)	11.1
Boot capacity (L)	3,900
Payload (kg)	Up to 770
Gross Vehicle Weight (kg)	3,150
Unladen weight (kg)	2,380
Overhang, front (mm)	820
Overhang, rear (mm)	903
Height boot sill (mm)	623
Loading length (mm)	2,232
Loading height (mm)	1,257
Loading width (mm)	1,732
Side sliding door, width/height (mm)	756 / 1,092



Paint



- 01 **Lime Yellow** Metallic
- 03 **Starlight Blue** Metallic
- 05 **Bay Leaf Green** Metallic
- 07 **Candy White**

- 02 **Monosilver** Metallic
- 04 **Energetic Orange** Metallic
- 06 **Deep Black** Pearl Effect

Equipment highlights

Exterior

18-inch steel wheels

LED Headlamp

LED rear combination lamps

Power-folding side mirrors with reverse lowering function

Sliding door on left and right

Rear wing door without window aperture

Illuminated door handle recesses

Surround lighting with logo projector



Safety and Security

6 airbags

- Front, side and curtain airbags for driver and front passenger

Proactive Passenger Protective system

Tyre pressure loss indicator

Anti-theft alarm system with interior monitoring, backup horn and towing protection

Seat belt reminder

Interior

Seat Trim covers in fabric

Keyless locking and starting system (KESSY) with SAFELOCK

Electromechanical speed-sensitive powersteering

Illuminated sun visors with mirror

Smoker's package (with cigarette lighter and portable ashtray)

Wooden floorboard in cargo area

Driver's Assistance

Rear View Camera

Cruise control system

Lane Assist

Front Assist with city emergency braking

Advanced driver attention & drowsiness monitor

Side Assist with Rear Traffic Alert

Comfort and Convenience

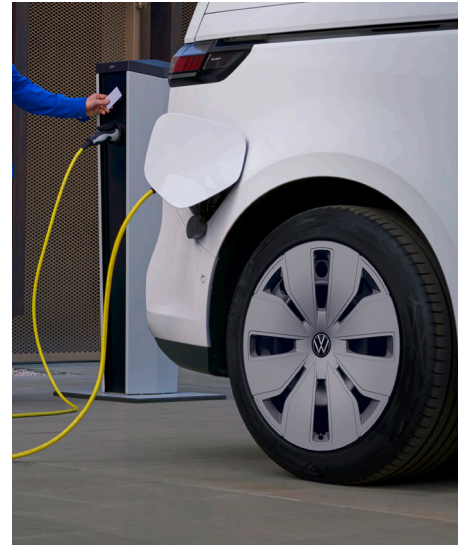
Air-Care Climatronic 1 zone automatic climate control with enhanced air filter

Leather wrapped multi-function steering wheel with touch control

In-Car Entertainment and Communications

AppConnect for Android Auto / Apple CarPlay

12.9" Infotainment Display with Volkswagen sound system, 2 speakers



Updated as of September 2024. All the above are subject to terms & conditions as stated on [volkswagen.com.sg](https://www.volkswagen.com.sg)





VW Cares

Benefits of Volkswagen Cares

5 Years Free Servicing and Roadside Assistance

Coverage for all maintenance costs as per standard maintenance schedule. Roadside Assistance coverage available in Singapore (except Jurong island) and in Peninsular Malaysia.

5 Years Vehicle Warranty

Complimentary manufacturer's warranty for your peace of mind

8 Years Battery Warranty

Guarantee of 70% battery capacity for eight years or 160,000 km from registration

Benefits of Volkswagen Service



Express Service

Get your car back in three hours. This fast-track minor/major servicing includes Service Advisor dialogue, quality control, and a car wash.

* Strictly on an appointment basis only. Any additional concerns, rectifications or replacement of parts will not be classified as Express Service.



100% Genuine Parts

Our service centre uses only Volkswagen Genuine Parts®. That means durable, reliable and optimal performance. To top it off, they're covered by a two-year unlimited mileage warranty.



Vehicle Warranty*

The protection against component repair and replacement cost, as well as the assurance that your car is repaired by an authorised Volkswagen workshop.



Roadside Assistance

No need to worry about getting stranded! Your electric car gives ample warning when energy is running low and will automatically switch to energy-saving mode. If you still need assistance, simply contact our Roadside Assistance at **+65 6333 8800**.



Free Shuttle Service

While waiting for your car to be serviced, a complimentary shuttle service is available to take you to and from nearby MRT station.



Dealer Standard

With direct supervision from headquarters, experience reliable servicing that adheres strictly to factory guidelines.



100% VW Trained Staff

All our Technicians and Service Advisors are certified under Volkswagen Group stringent supervision.



Accident Reporting and Insurance Renewal Centre

In the event of an accident, rest assured that our insurance service advisor will provide comprehensive guidance to your accident reporting and vehicle repair.



Time for an LTA inspection?

Reduce the chances of a re-inspection, with a thorough pre-check carried out by our technicians. If any rectification work is required, you'd be notified at once.

Your Benefits:

- Hassle-free, one-stop inspection service.
- The certainty that your car is ready for the roadworthiness inspection.
- Pre-check is free with any scheduled servicing.



Pre-travel inspection

Going on a road trip? Minimise the risk of possible adverse events and breakdowns when you send your car for a pre-travel inspection.

Your Benefits:

- A thorough check, including on-board diagnostic test with the Volkswagen diagnostic tester.
- Peace of mind knowing your car is in good travelling condition.
- Pre-travel inspection is free with any scheduled servicing.



Body and paint warranty

Enjoy a 3-year paint warranty covering manufacturing defects in the paintwork and a 12-year body protection warranty against corrosion from the first date of registration.

Frequency:

Vehicle age, below 3 years: Nil
Vehicle age, 3 to 10 years: Every 2 years
Vehicle age, more than 10 years: Annually

The all-new, all-electric

ID. BUZZ

Cargo

Volkswagen Centre Singapore

247 Alexandra Road
Singapore 159934
Tel: 6474 8288

www.vw.com.sg

Services

Aftersales service hotline: 6305 7299
Aftersales service fax: 6474 3643
24-Hr Roadside Assistance: 6333 8800

Service enquiry email

service@vw.com.sg



GoConnect

Keep track of your Volkswagen's health, monitor battery level and find the nearest charging stations for your convenience.

Scan the QR code to download the GoConnect app.



Volkswagen Life

Experience convenience right at your fingertips with the Volkswagen Life app. Book any of our Aftersales services whenever and wherever.

Scan the QR code to download the Volkswagen Life app.



facebook.com/VolkswagenSG



[@volkswagensg](https://www.instagram.com/@volkswagensg)



youtube.com/user/VWSingapore



Volkswagen Life

Disclaimer von Volkswagen

The information, pictures, colours and specifications contained within this brochure are presented as a general guide to the products and accessories offered by Volkswagen Group Singapore Pte Ltd. Although every effort has been made to ensure that such information is correct and up to date, no warranty is provided that all information is complete, accurate or without error.

The images presented on the brochure are used for illustrative purposes only and are not intended to form part of any contract or warranty. They display pre-series cars and certain illustrations, features, parts and equipment may differ from the actual production cars and the featured wheels are from overseas models. To get the exact confirmation of features, parts and equipment, please get in touch with us.

Volkswagen Group Singapore does not accept liability for damages of any kind resulting from the access or use of this brochure and its contents. Apple CarPlay® is a registered trademark of Apple Inc. Android Auto™ is a registered trademark of Google Inc. MirrorLink® is a registered trademark of Car Connectivity Consortium LLC. Leather-appointed seats have a combination of genuine and artificial leather but are not solely leather. Volkswagen Group Singapore reserves the right to change prices and specifications without prior notice.

Unauthorised modifications to our products are not covered by warranty.

More detailed information may be found under Legal statement <https://www.volkswagen.com.sg/need-help/legal-statement>

Subject to changes without notice. Printed in Singapore. Issue: 12 September 2024